



AC-HDP-MXB44D70M
4x4 HDMI 4K Matrix Switch, 70m

Advance Connex 4x4 HDMI matrix switch come with 4 HDMI inputs and 4 HDMI outputs up to max 70m over Cat6 cable, max resolution 4K60Hz, compatible with HDCP. User friendly admin operation control by options IR remote control, push buttons, WEB GUI and RS232 commands.

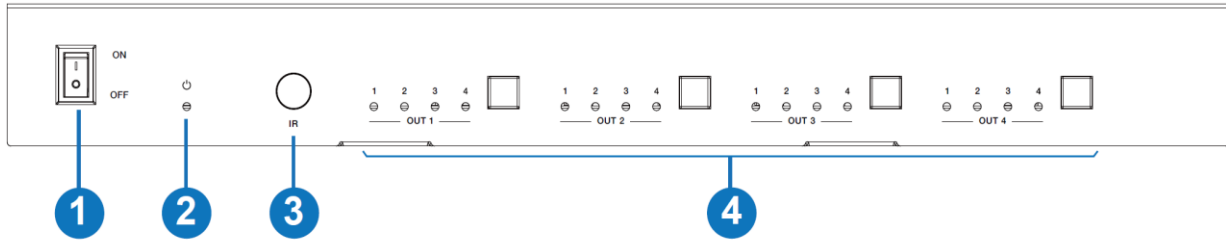
Features:

- Max resolution 4k60hz
- Supports HDMI2.0b, HDCP2.2/2.1 compliant
- Output distance over cat6 cable max 70m with HDMI mirror port
- 18Gbps lossless uncompressed video bandwidth
- Support 4K->1080P Down Scaler for each output port
- Advanced EDID management and CEC control
- Video switching by IR remote control, RS-232 and TCP/IP WEB GUI
- Supports

Specification:

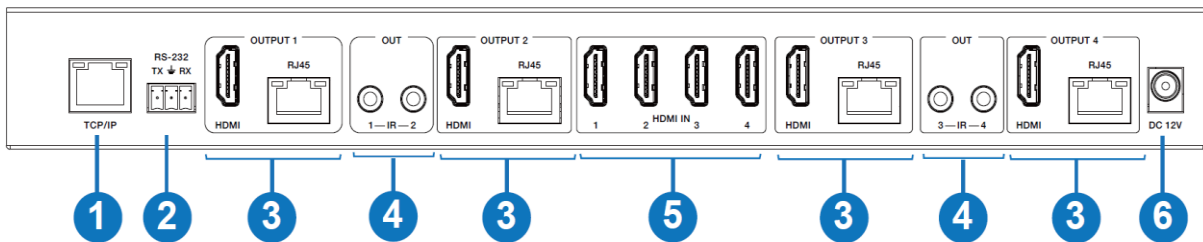
Resolution	Max 4K@60hz
Input port	4 x HDMI
Output port	4 x HDMI, 4 x RJ45
Control port	1 x TCP/IP, 1 x RS232
Cat6 Receiver Unit	1 x HDMI, 1 x RJ45, 1 x IR Input, 1 x Service Port
Distance Support	Cat6 cable max 70m, HDMI 4K cable 5m, HDMI 1080p cable 10m
Color	8-bit (4K2K@60Hz YUV4:4:4)
HDR	HDR10, HDR10+, Dolby Vision, HLG
Dimensions	320 width X 100 dept X 36 height (mm)
Total Weight	1.8 kg
Power consumption	20W (Max)
Operating Temperature	32°F to 104°F (0°C to 40°C)

Front Panel



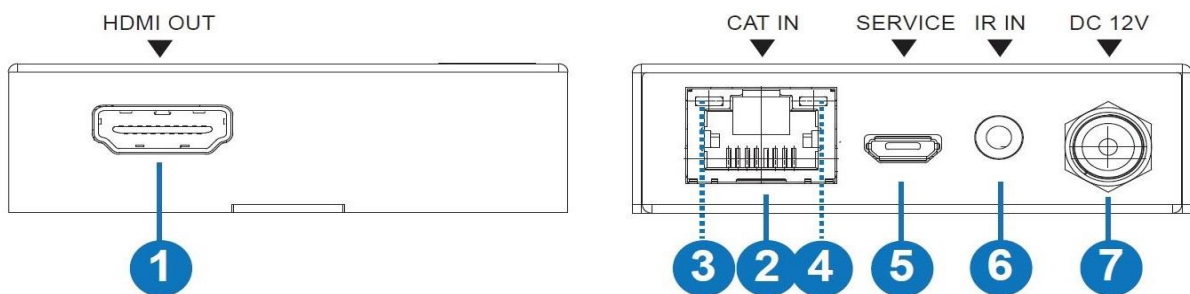
1. Power on off button	3. IR window (matrix switch)
2. Power LED status	4. Push button video switching

Rear Panel



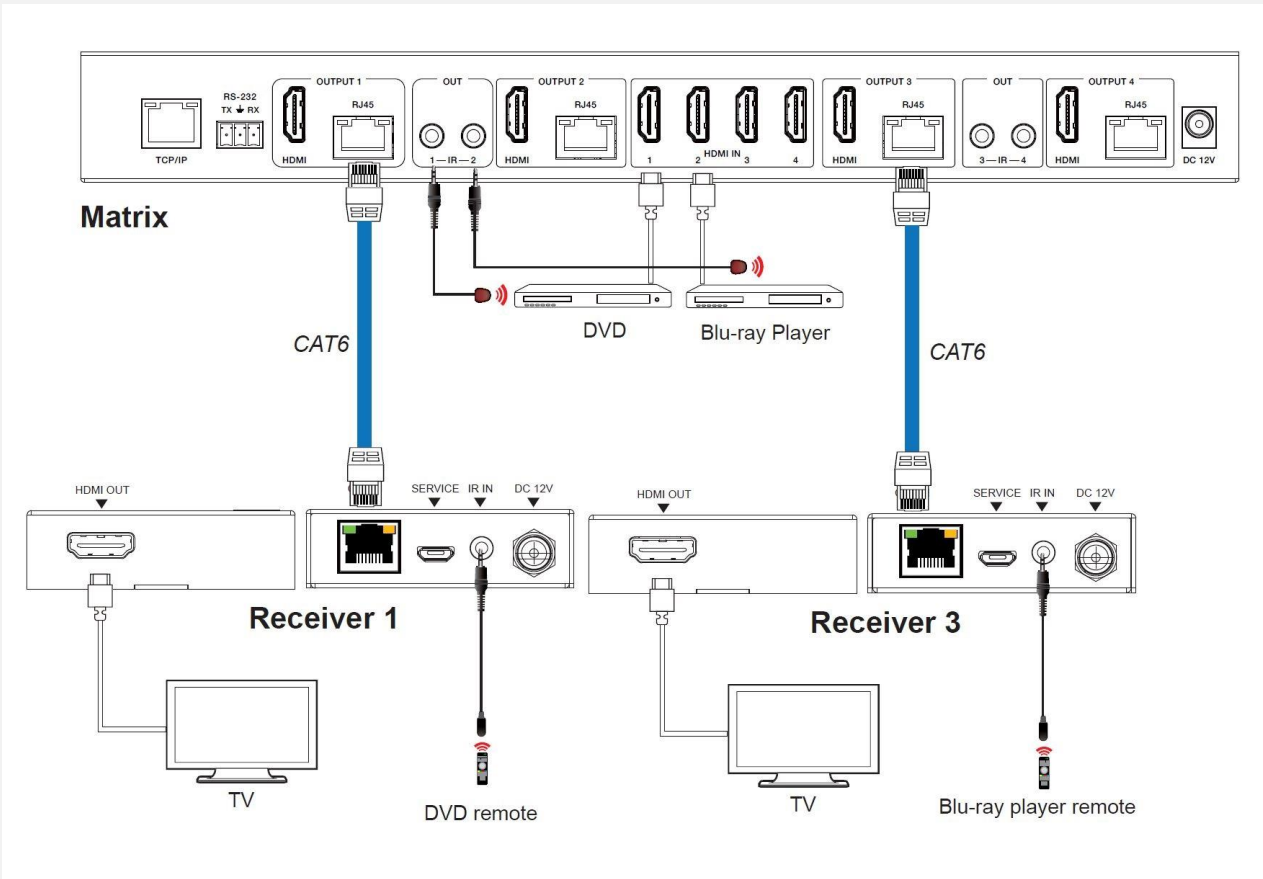
1. TCP/IP control port (web gui)	4. IR port (input & output)
2. Rs232 control port	5. HDMI input port
3. Output port (HDMI & Rj45 cat6)	6. Power supply socket 12v

Receiver unit



1. HDMI output port (TV)	5. Micro USB (firmware update)
2. Rj45 cat6 port (PoC)	6. IR cable
3. Power signal LED	7. Power supply socket (optional)
4. Data signal LED	

Connection Diagram



Package Content:

4x4 HDMI Matrix Switch	1 unit
Cat6 receiver unit	4 units
Power adapter	1 unit
IR cable (matrix switch)	4 units
IR cable (receiver unit)	4 units
RS232 cable	1 unit
User Manual	1 unit
Remote Control	1 unit
Mounting ear (matrix & receiver)	10 units