



AC-HDES32
20KM HDMI KVM Fiber Extender

Advance Connex HDMI fiber KVM extender extend the HDMI video & USB signal (keyboard & mouse) with max resolutions HD1080p 60hz up to 20km over single core SM fiber optic cable. The device support 1 to 1 and 1 to many connection via fiber network switch.

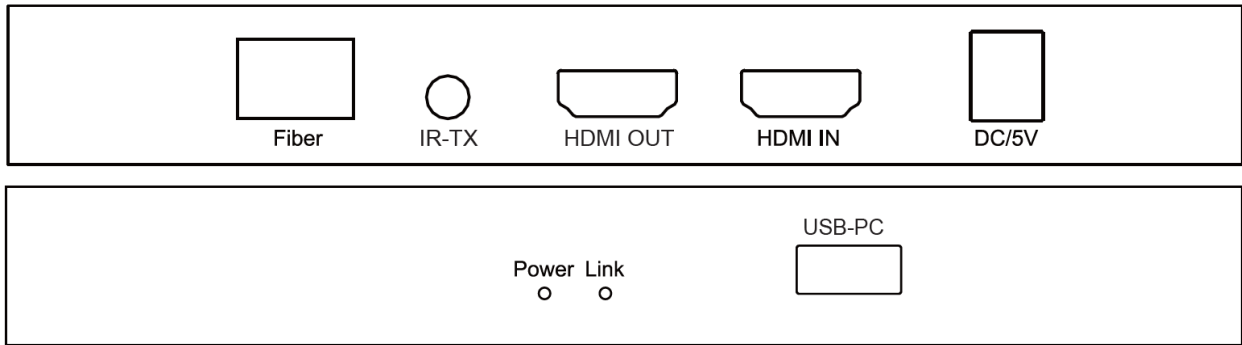
Features:

- Max resolution support HD1080p, 60hz.
- Max distance 20km over SM fiber optic cable (1 core)
- Support HDMI local loop
- KVM function
- Support 1 to 1 or 1 to many connections over fiber network switch
- Support IP transmission
- Plug and play designed

Technical specification:

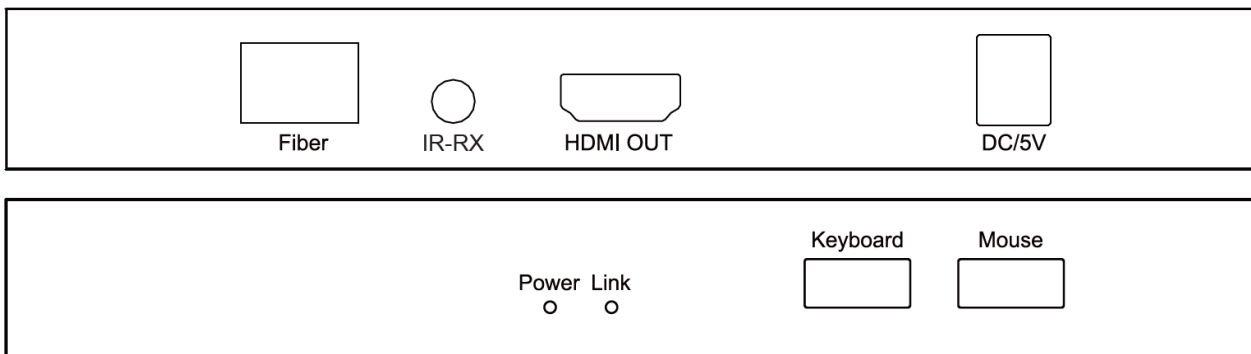
| | |
|--------------------------|------------------------------------|
| Max resolution | HD1080p, 60hz |
| USB port version | USB1.1 (for keyboard & mouse only) |
| Max distance | 20km, single mode cable (1 core) |
| Fiber connector | SC connector (1 port) |
| Optical fiber wavelength | 1310nm/1550nm, 1550nm/1310nm |
| Local HDMI loop | Yes (TX unit) |
| IR control | Yes |
| HDMI version | HDMI 1.3 |
| HDCP version | HDCP 1.3 |
| Power adapter | DC 5V 1A |
| Size (LxWxH) | 163 x 86 x 24mm |
| Weight | 1.0 kg |
| Operating temperature | 0°C - 45°C (no condensation) |

Transmitter Interface:



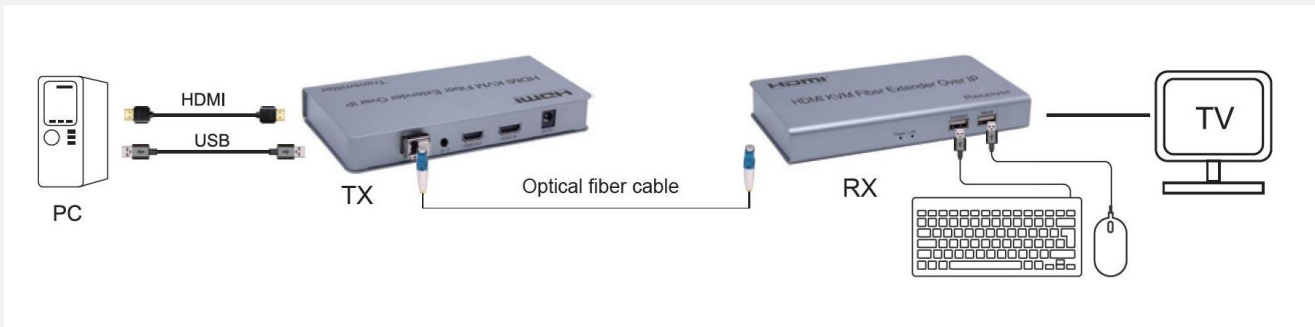
| | |
|------------|--|
| Fiber port | SC connector |
| IR TX | IR transmitter port |
| HDMI out | Local HDMI loop (for local hdmi display) |
| HDMI in | HDMI input source |
| DC 5V | 5V power |
| Power | Power LED indicator |
| Link | Signal link LED indicator |
| USB PC | For PC USB connection |

Receiver Interface:

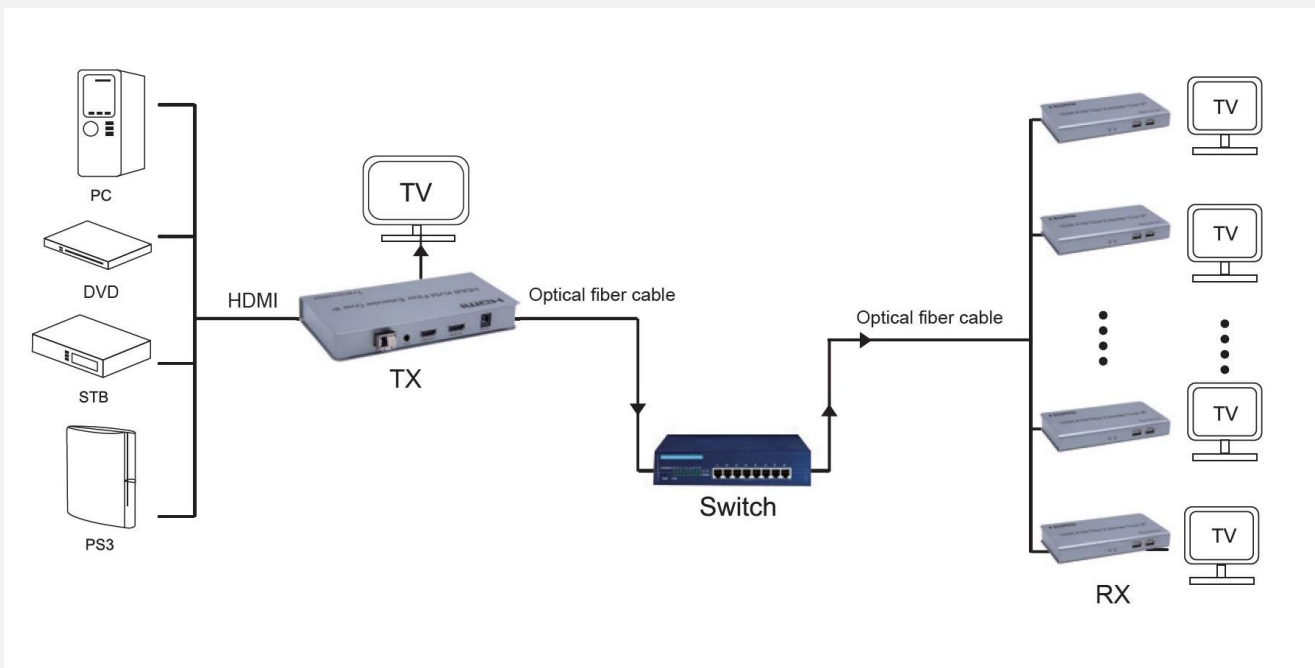


| | |
|------------|-----------------------------|
| Fiber port | SC connector |
| IR RX | IR receiver port |
| HDMI out | HDMI output to display |
| DC 5V | 5V power |
| Power | Power LED indicator |
| Link | Signal link LED indicator |
| Keyboard | For usb keyboard connection |
| Mouse | For usb mouse connection |

1 to 1 connection:



1 to 1 many connections:



Package Content:

| | |
|-------------------------|---------|
| HDMI fiber KVM extender | 1 pair |
| IR cable | 2 units |
| Power adapter | 2 units |
| User manual | 1 unit |