



AC-HDES200 KVM
200m HDMI KVM Extender Over IP

Advance Connex AC-HDES200 KVM HDMI KVM extender over IP based capable to transmits video & USB signal with max resolutions HD1080p60 up to 200 meters away from HDMI source by single cat5e/6 cable.

Features:

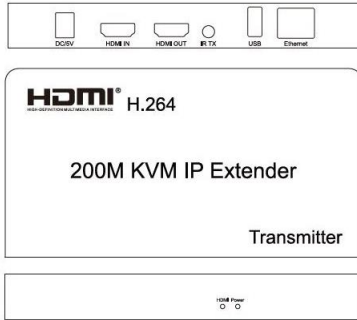
- Max resolution support HD1080p@60
- Version HDMI 1.3
- Support HDCP1.3
- Support HDMI local loop
- Max distance 200m over cat6 cable
- Support 1 to 1 or 1 to many connections over IP
- Support IR
- Plug and play designed
- Support long distance controlled by USB mouse and keyboard.

Technical specification:

Max resolutions support	HD1080p@60hz
Signal Compression	H.264
USB port version	USB1.1 (for keyboard & mouse only)
IR control	Yes
HDMI version	HDMI 1.3
HDCP version	HDCP 1.3
Power adapter	DC 5V 1A
Transmission	Max 200m over cat6 cable
Size (LxWxH)	163 x 87 x 24mm
Weight	1.0 kg
Operating temperature/humidity	0°C -45°C (no condensation)
Storage temperature/humidity	-10°C -70°C (no condensation)

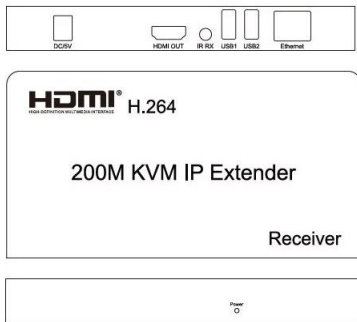
Interface Diagram:

HDMI Transmitter



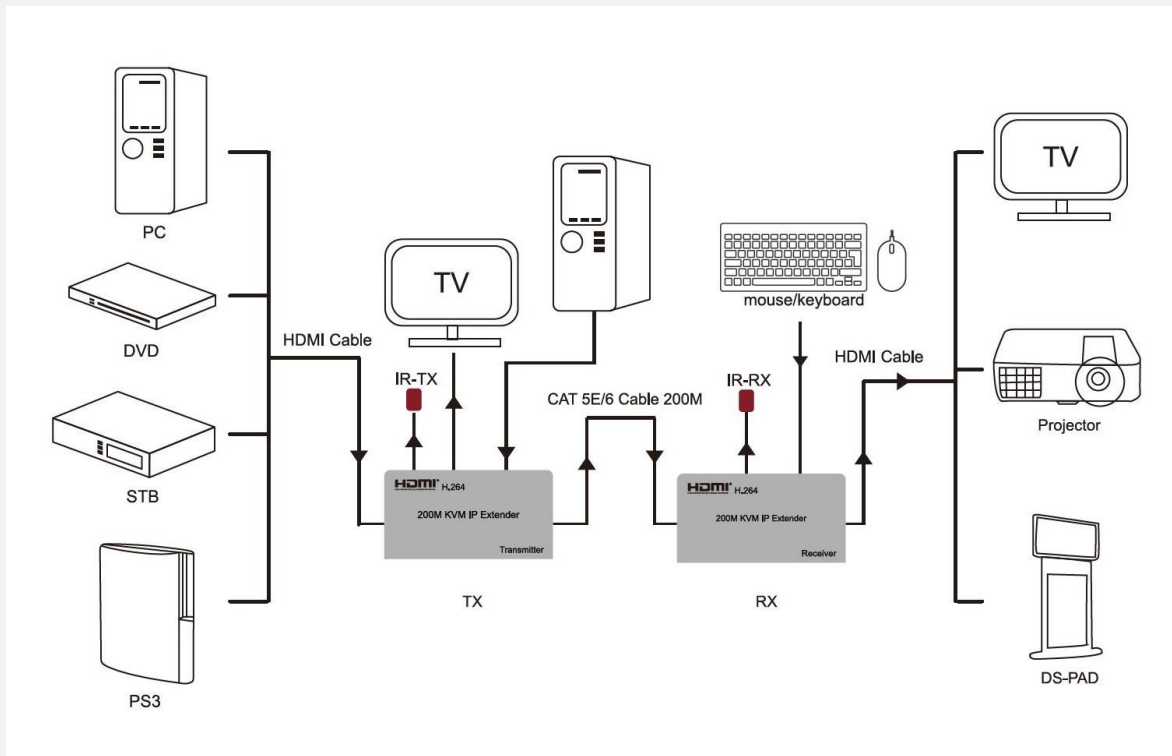
Port	Description
DC/5V	5V power supply for the Transmitter
HDMI - IN	HDMI input ,connect HDMI signal source
HDMI - OUT	HDMI output, connect HDMI display device
IR-TX	Connect IR transmitter
USB	USB output, connect computer
Ethernet	Network interface by cat5e/6

HDMI Receiver:

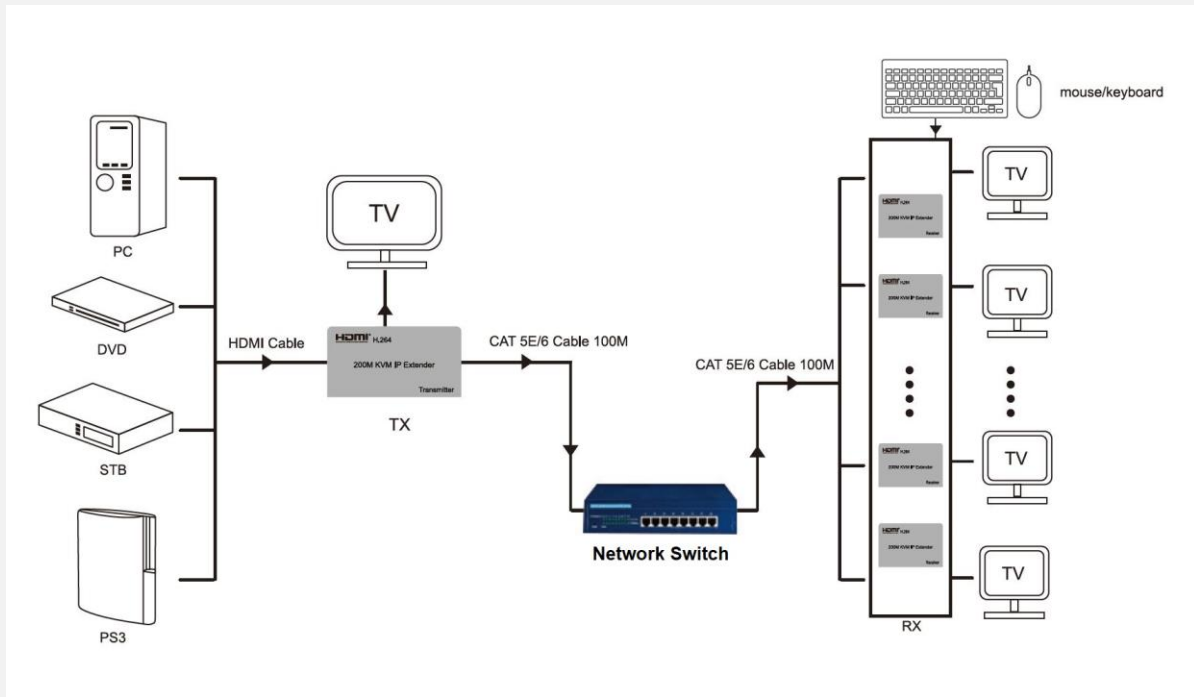


Port	Description
DC/5V	5V power supply for the receiver
HDMI -OUT	HDMI output, connect HDMI signal device
IR-RX	Connect IR receiver
USB1-2	USB input,mouse/keyboard input
Ethernet	Network interface by cat5e/6

1 in 1 out Connection Diagram:



1 to Many over IP Connection Diagram:



Package Content:

HDMI KVM extender	1 pair
IR cable	2 units
Power adapter	2 units
User manual	1 unit