



AC-HDVW2x3
2 x 3 Video Wall Controller

Advance Connex 4K 2x3 video wall controller support 1 x HDMI, 2 x USB & 1 x SD Card as input and 6 HDMI output, the major function is to divide an input signal into 6 blocks video and output display into 6 individual screen (Tv or monitor) to form a large dynamic image screen.

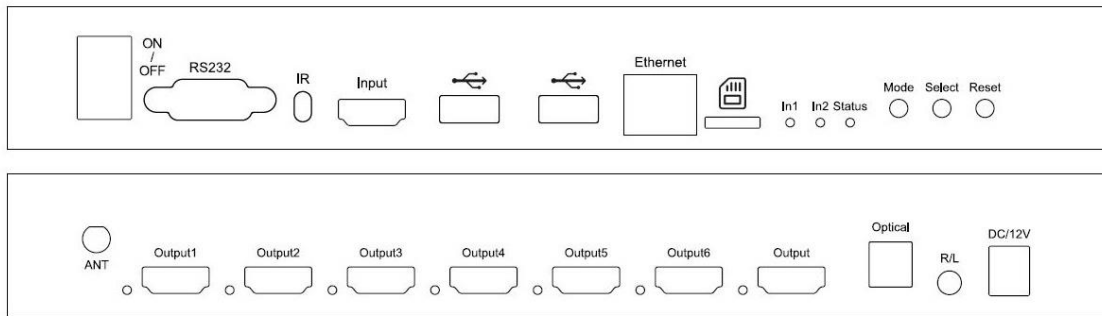
Features:

- Up to max resolution 4K@30fps
- Input port: 1 x HDMI, 2 x USB & 1 x SD Card
- Output port: 6 x HDMI & 3.5mm and optical audio
- HDMI 1.4B & HDCP 1.4 version
- Video switching by remote control or panel push button

Specification:

HDMI Version	HDMI 1.4B / HDCP1.4
HDMI input resolution	Max 4K 30Hz
HDMI output resolution	Max HD1080p 60Hz (each screen)
Audio port	3.5m audio & optical
Input port	1 x HDMI, 2 x USB & 1 x SD Card
Output port	6 x HDMI
Max Baud rate	10.2Gpbs
Input cable distance	Below 3m 4K60 cable
Output cable distance	Below 3m 4K60 cable
Video switching	Push button or remote control
Power	DC 12v 2a
Housing material	Aluminium
Operating Temperature	-10 to +55
Dimension	263 x 159 x 39 (mm)
Weight	1.3Kg

Interface:



Ports	Function description
ON/OFF	Complete machine power switch
RS232	RS232 port, video wall controller serial port connection
IR	Infrared receiving window,for receiving order of remote controller
Input	For external HDMI video signal source input
↔	2.0 USB port, for connection of keyboard and mouse or USB flash disk signal source
Ethernet	Ethernet port,for wired network connection
SD	SD card port, for upgrade of player or SD card signal source input
In1	Switch to external HDMI signal source indicator light
In2	Switch to internal media player indicator light
Status	Player indicator light , red means power on, green means normal start
Mode	Splicing mode choosing Button ,short press for multiple splicing modes
Select	Switch choosing button,short press for switching HDMI signal source between external and internal
Reset	Reset button, short press for video wall controller reset
ANT	WIFI antenna port, for wireless WIFI network connection
Output1-6	Video wall controller HDMI signal output port, the green LED lamp beside the HDMI holder light constantly means be connected with display successfully
Output	HDMI loop out, used for cascade splicing
Optical	Fiber output port, for digital audio signal output
R/L	3.5mm headphone Jack, analog audio stereo output
DC/12V	DC 12V power port, for connect with 12V/2A power adaptor

Package content:

2x2 video wall controller	1 unit
Remote control	1 unit
User manual	1 unit
Power adapter	1 unit

Common splicing mode

